



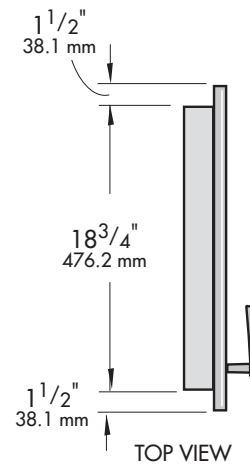
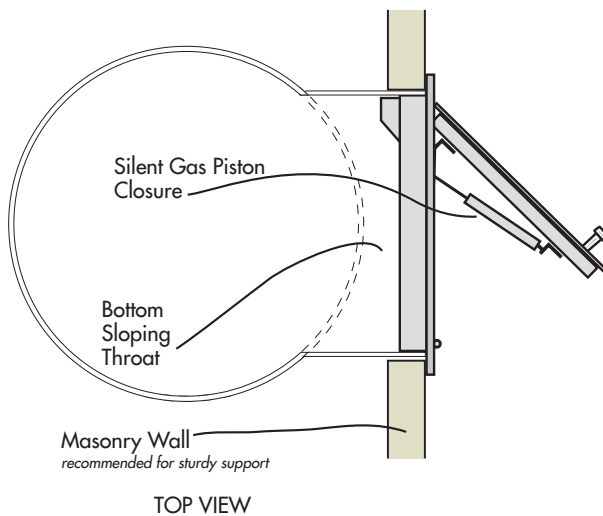
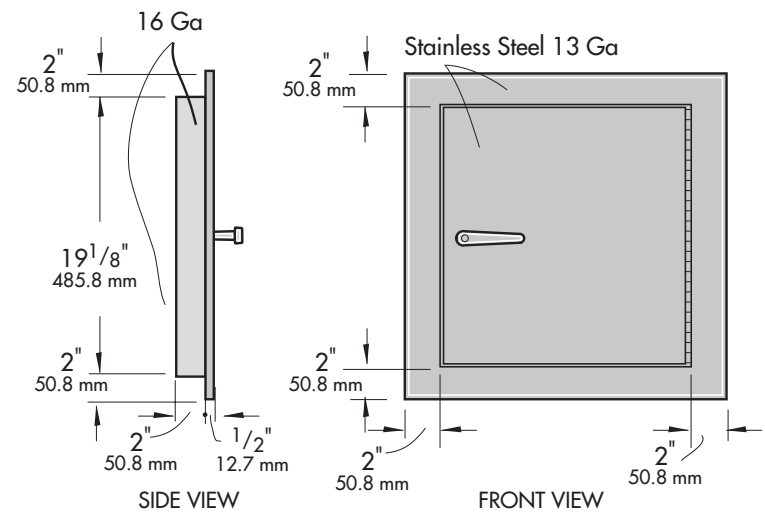
# YSSL - York Stainless Steel Linen intake door



2 hour fire rated door with Temp. Rise 60 min. 250°C  
Warnock-Hersey tested to CAN4-S104\*

- Side hinged, hand operated door with 180° swing
- Brushed satin finish with silent self-closing, self-latching mechanism
- Solidly welded stainless steel: 13 Ga door and frame; 16 Ga. basket
- Engineered for easy maintenance and parts replacement
- No exposed fasteners on installed unit

## YSSL - RIGHT SIDE HINGED MODEL



(Custom sizes and left side hinges available upon request)